



ZAMPOUKAS

TREADMILL
BELTS

NEW COLLECTION

More than 100.000 sq.m in stock

Supplying any size, any brand of treadmill

www.e-zampoukas.com

ANY APPLICATION



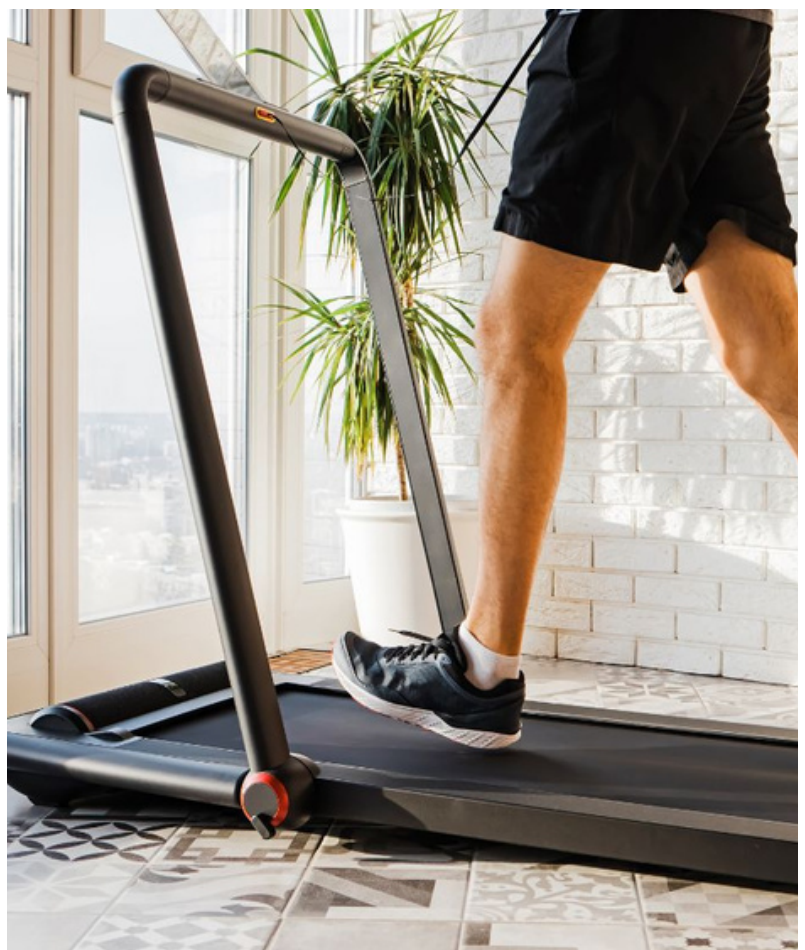
FITNESS CENTER



HOTEL/SPA



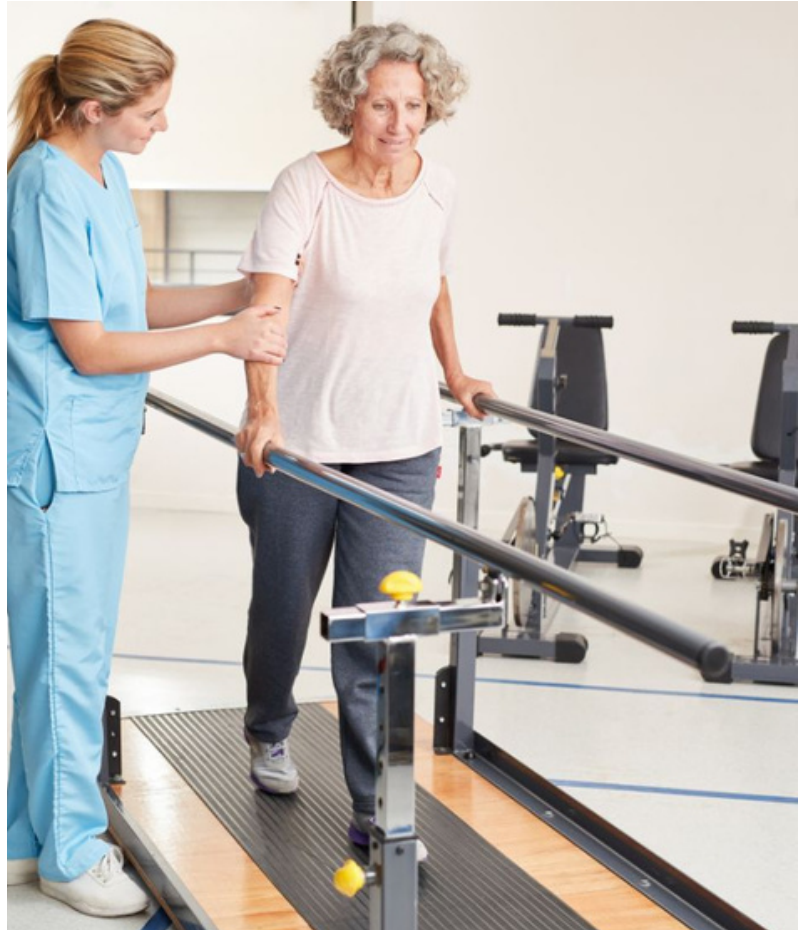
SEMI-PROFESSIONAL



HOME USE



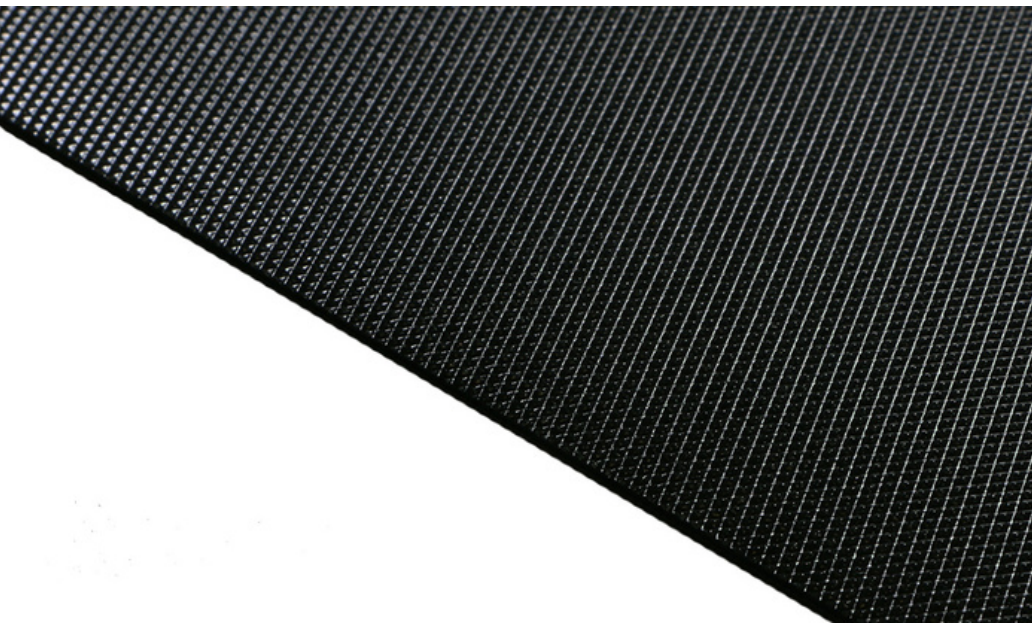
WALKING USE



REHABILITATION USE

ANY TYPE

BELT MODEL	HOME USE	COMMERCIAL	BEST FIT
1.4 MM 1/PLY ANTISTATIC			MOTOR 1.5 - 2hp
DIAMOND/ SAND BLAST PVC 1.7 MM 1/PLY ANTISTATIC			MOTOR 2 - 3hp
DIAMOND PVC 2.3-3 MM 2/PLY ANTISTATIC			MOTOR 3 - 6hp



DIAMOND SURFACE

BEST QUALITY PVC
USA



SANDBLAST SURFACE

BEST QUALITY PVC
USA



ANTISTATIC FABRICS / LOW NOISE
LIFETIME USE

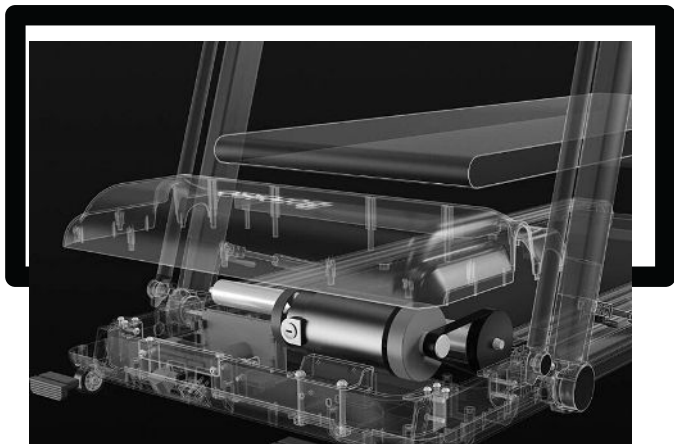
ANY SIZE & BRAND



COLLECTING MEASUREMENTS



WELDING PREPARATION



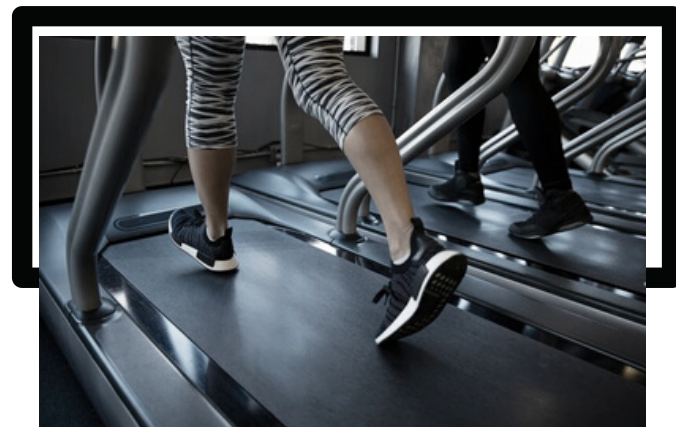
TEST PROCEDURE



CHOOSING THE RIGHT TYPE OF BELT



WELDING PROCESS

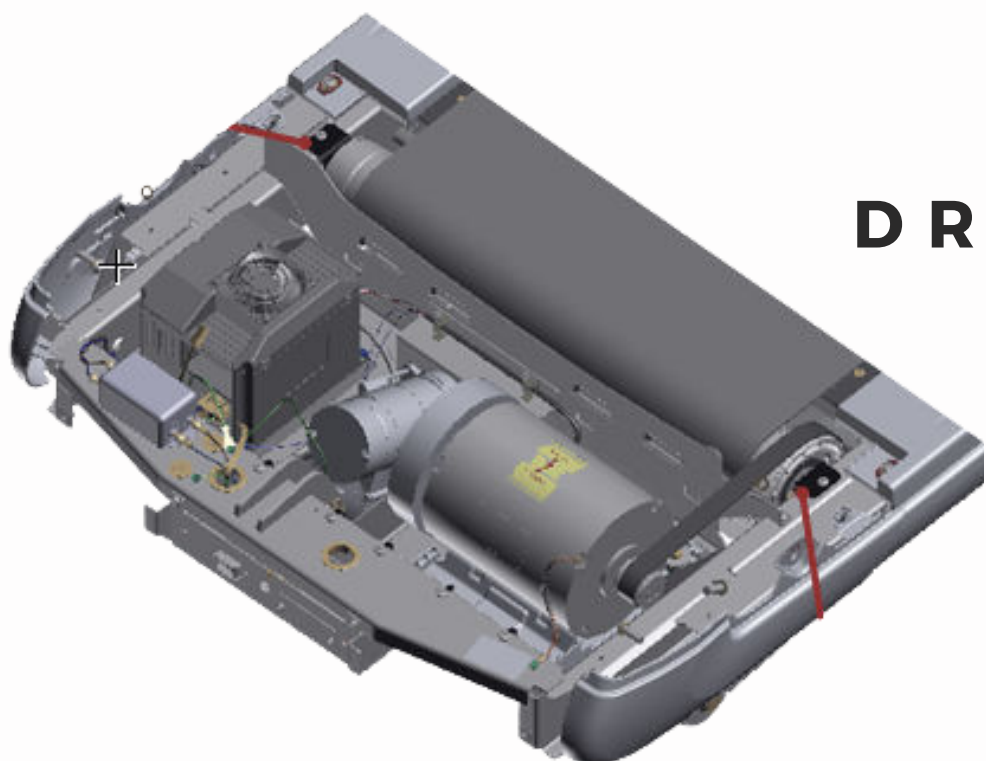


READY FOR IMMEDIATE USE



ACCESSORIES

DRIVE BELTS / LUBRICANTS



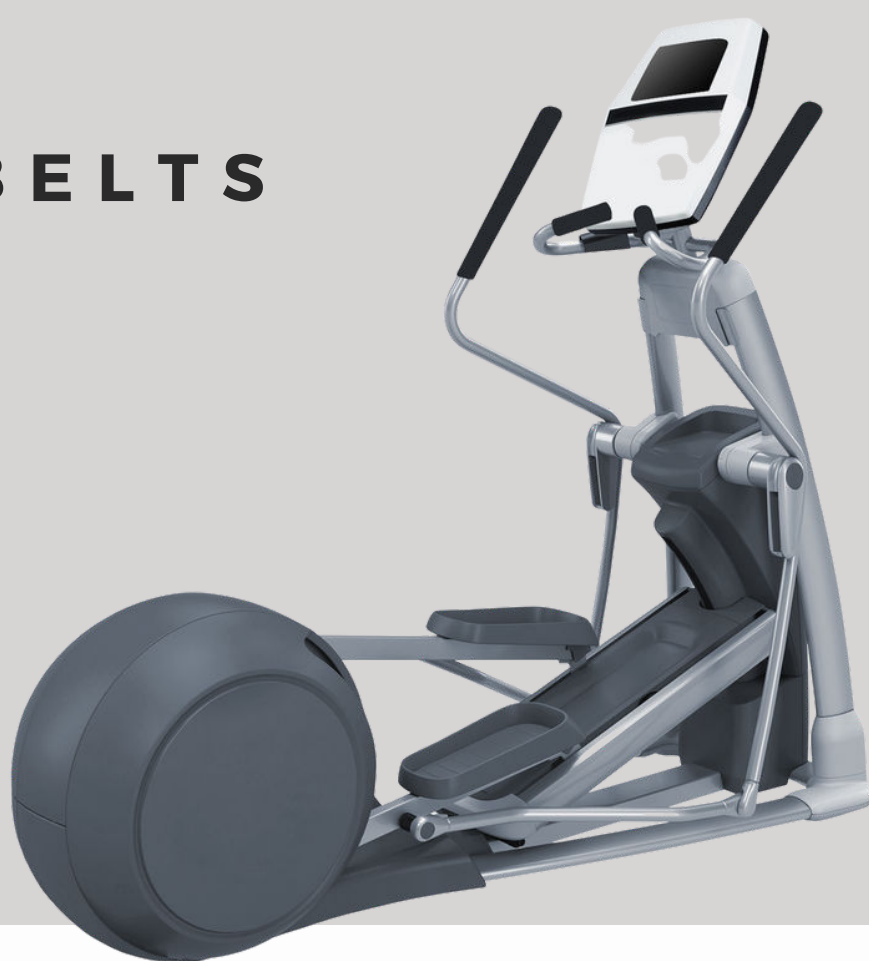
DRIVE MOTOR BELTS

ANY SIZE



ELLIPTICAL DRIVE BELTS

ANY SIZE



LUBRICANTS

100% SILICONE



ZAMPPOUKAS

**TREADMILL
BELTS**

THESSALONIKI GREECE

2310 782984 , 2310784888

info@e-zampoukas.com

www.e-zampoukas.com
